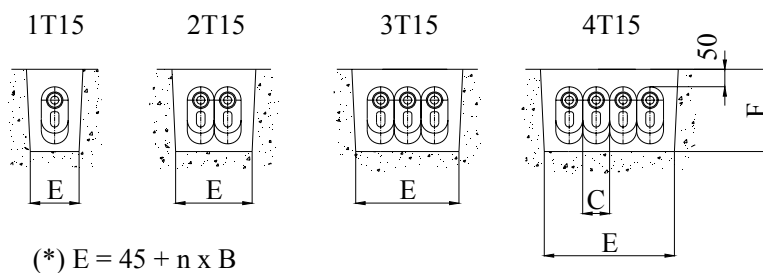
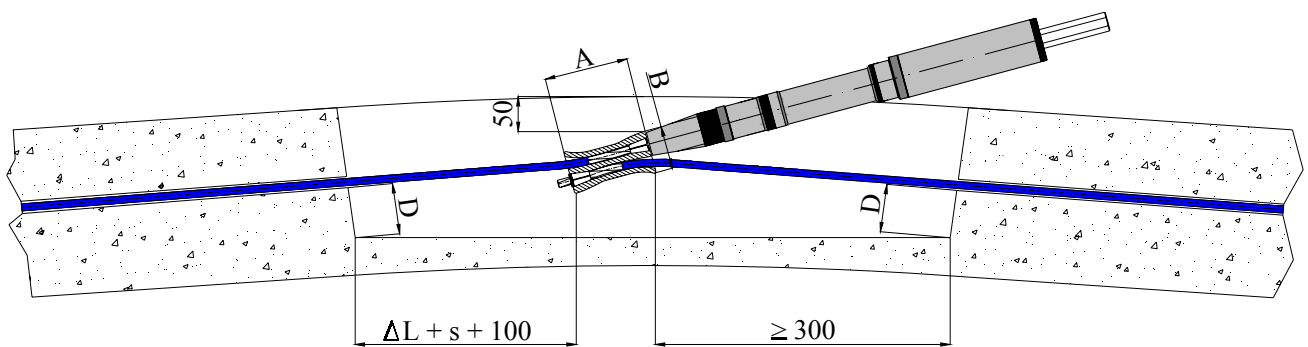


15.0 - "F" CONNECTIONS



F connection

The F connection is used for the encircling of tanks or for the positioning into forming moulds as a tensionable connection of two strands. The anchorage is generally used as an unbonded active anchorage and it is used with greased and coated strands.



Type	Ultimate load			A	B	C	D	E	F	G
	T15 259 per cable (KN)	T15S 279 per cable (KN)	T15C 300 per cable (KN)							
1F15	259	279	300	200	98	55	60	(*)	180	20

Our company reserves the right to change our products and specifications without any previous notice.

(Measures in mm.)