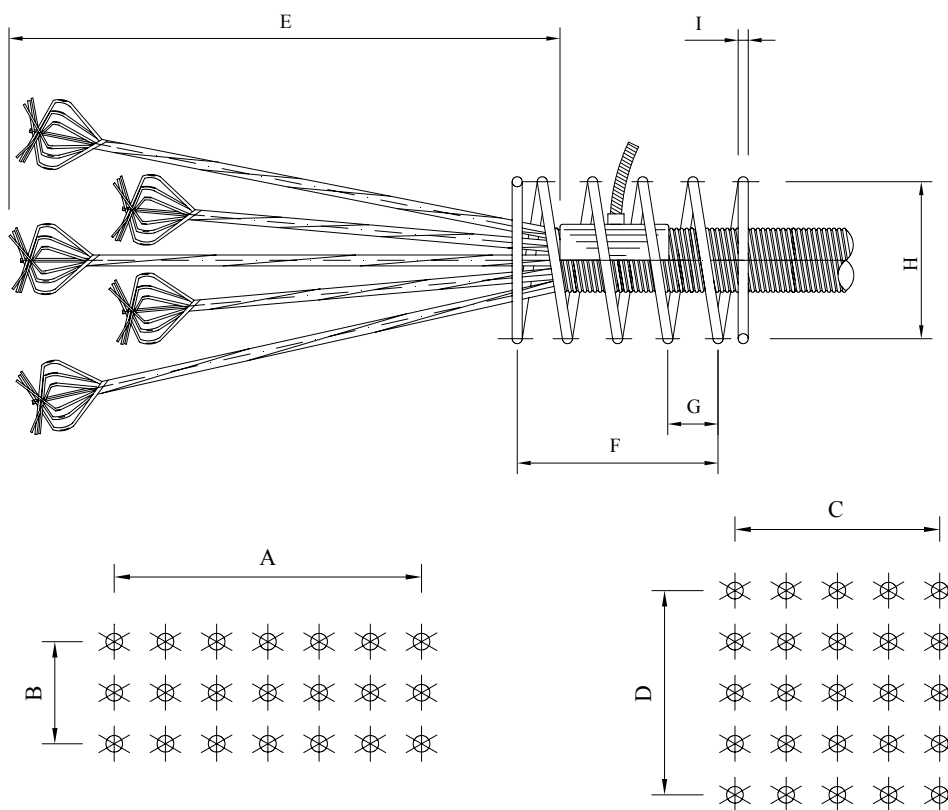


13.0 – "S" SERIES PASSIVE ANCHORAGES



1S15 single strand

"S" series passive anchorages are produced in full accordance with the regulations in force. In this type of anchorage strands are open at the end to increase their adherence to concrete.



Type	Ultimate load			A	B	C	D	E	F	G	H	I
	T15 259 per cable (KN)	T15S 279 per cable (KN)	T15C 307 per cable (KN)									
4S15	1036	1116	*****	210	-	80	80	800	250	50	100	10
7S15	1813	1953	*****	240	80	-	-	800	350	50	100	10
9S15	2331	2511	*****	-	-	160	160	800	400	60	150	12
12S15	3108	3348	*****	400	80	240	160	800	400	60	150	14
15S15	3885	4185	*****	-	-	320	160	800	400	60	150	14
19S15	4921	5301	*****	-	-	320	240	900	400	70	220	14

Our company reserves the right to change our products and specifications without any previous notice.
The T15C strand cannot be turned into a S passive anchorage.